

Product **Zebra Technologies Corporation**

Producer 3 Overlook Point
Lincolnshire, IL 60069 U.S.A.

Product Description Models: ZC100 and ZC300 Series Card Printers

Hazardous Substances and Preparations The materials used in this product are RoHS compliant. This product contains the following items that may require special handling:

- PCBA.

Packaging The packaging materials used for this product do not contain any of the banned materials listed in the EU packaging directive.

The printed user documentation included with this product is produced on paper with 50% or more recycled content that has not been bleached with chlorine. If a Compact Disc (CD) is supplied, it is made from a recyclable polycarbonate material.

Information on the assessment of the packaging scheme for this or other Zebra products can be found at: <http://www.zebra.com/environment>.

Recycling Information Zebra Technologies offers product recycling programs in certain geographic areas. To determine if a program is available for this product in your area, please refer to our web site at: <http://www.zebra.com/environment>.

This product is designed with the following features to enhance recycling:

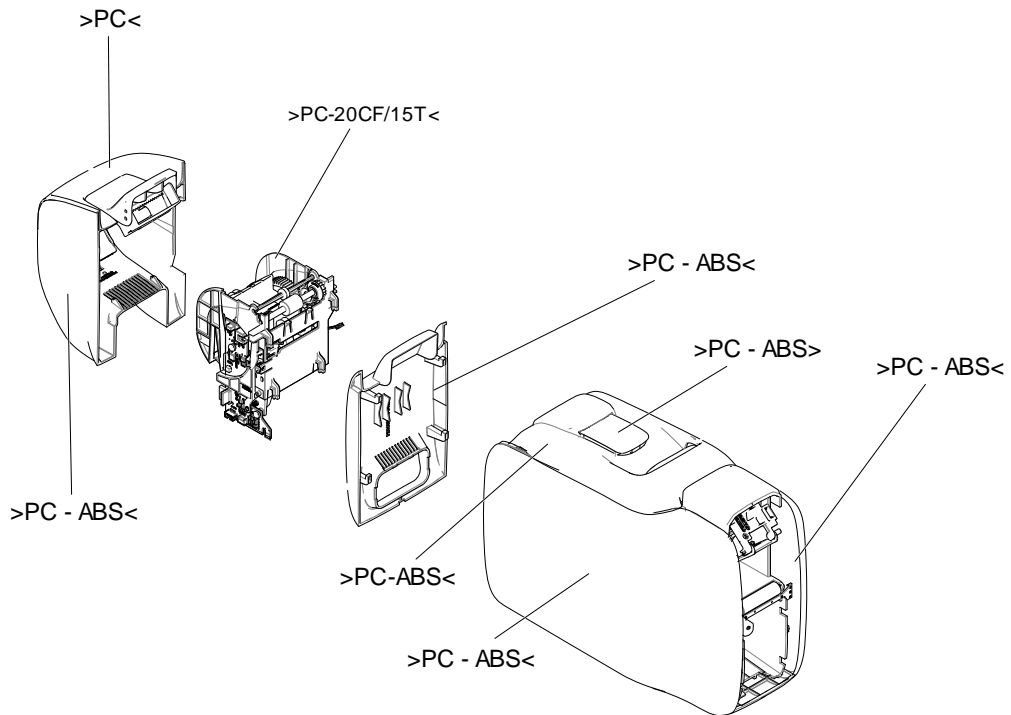
- Glues and adhesives have been eliminated from product construction where feasible.
- Use of common fasteners and/or snap-in features
- Plastic parts weighing more than 25g are marked according to ISO 11469 standards except where impractical. Exceptions are noted in the following drawing.



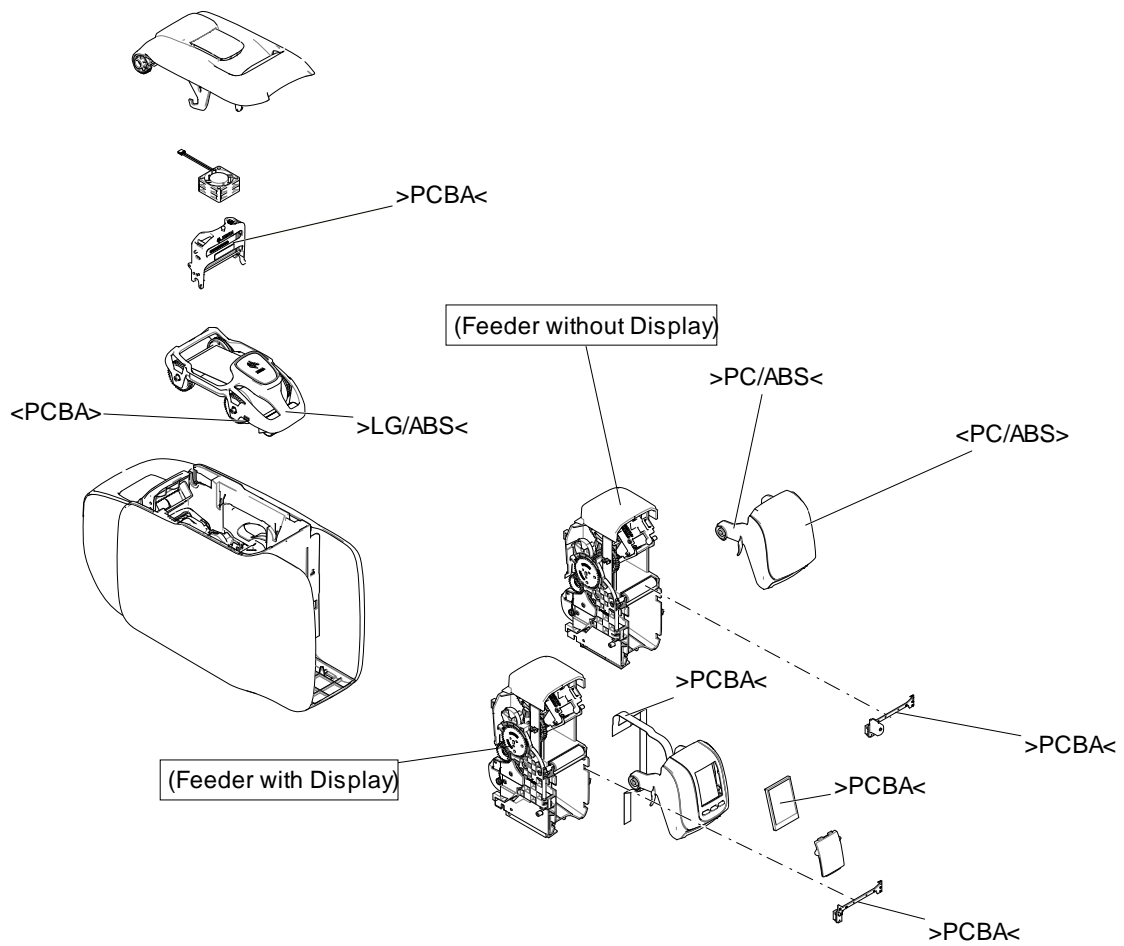
Product Recycling Information
ZC100 and ZC300 Series Card Printers
February 2018



ZC100 and ZC300 Series Card Printers

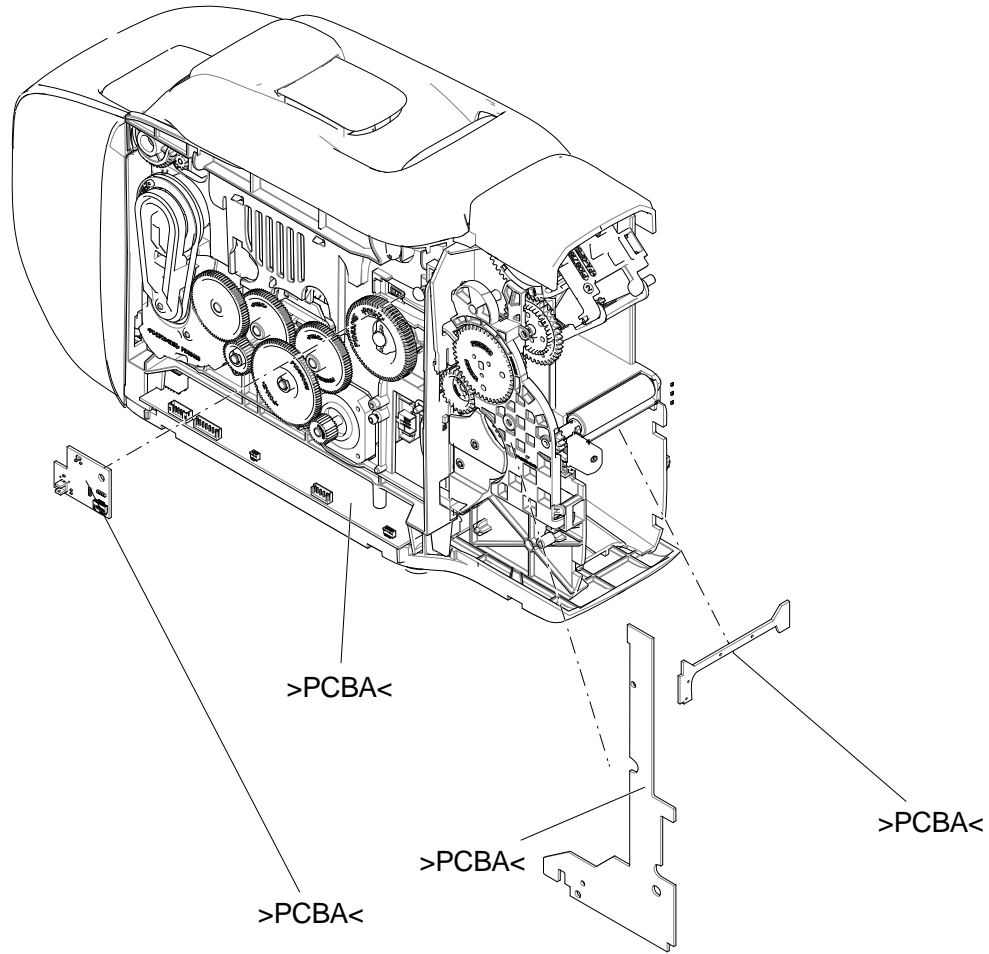


ZC100 and ZC300 Series Card Printers





ZC100 and ZC300 Series Card Printers

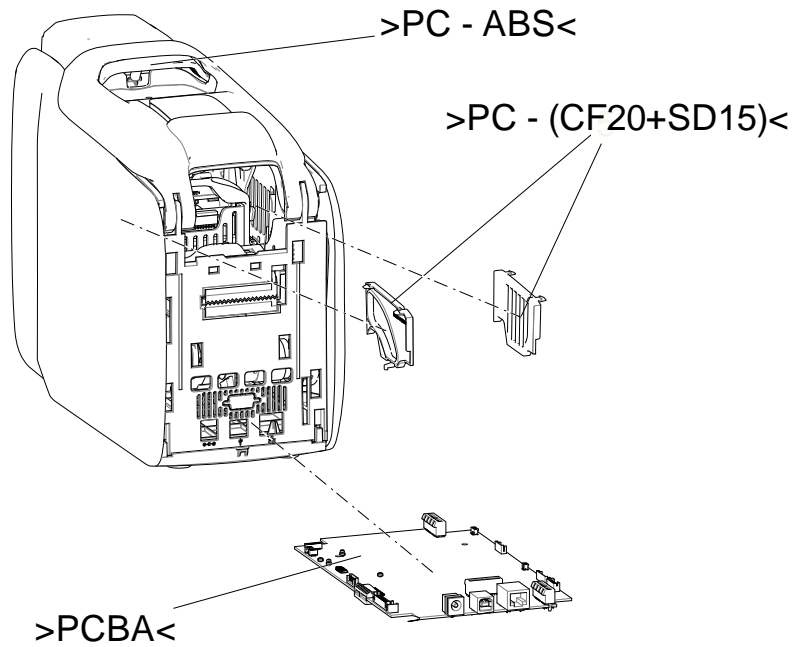




Product Recycling Information
ZC100 and ZC300 Series Card Printers
February 2018



ZC100 and ZC300 Series Card Printers



This document was compiled from information available at the time of publication and is issued only as an information source. No warranty as to accuracy or completeness is expressed or implied. This document is subject to change without notice.

©2018 ZIH Corp and/or its affiliates. All rights reserved. Zebra and the stylized Zebra head are trademarks of ZIH Corp., registered in many jurisdictions worldwide. All other trademarks are the property of their respective holders. 980539-019 Rev. A